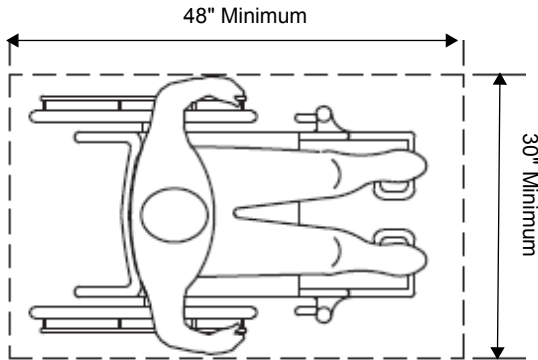
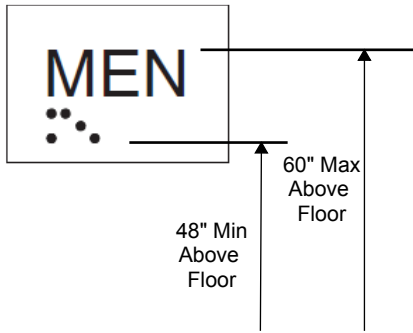
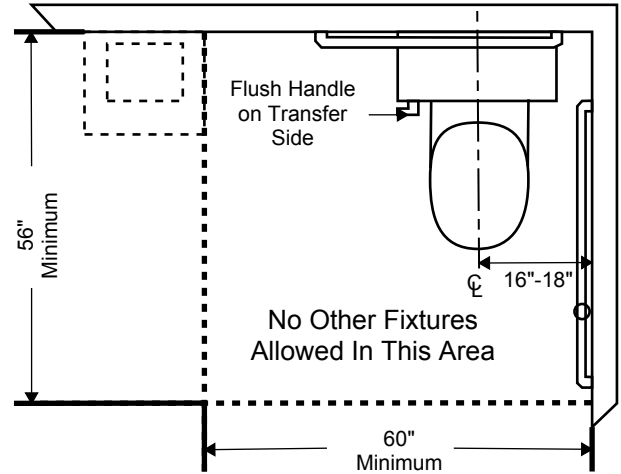


# ACCESSIBLE FEATURE MEASUREMENTS

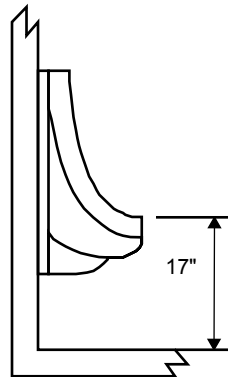
## Minimum Clear Floor Space



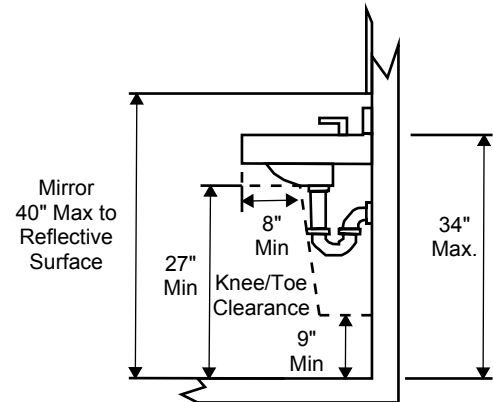
## Fixture Clearance



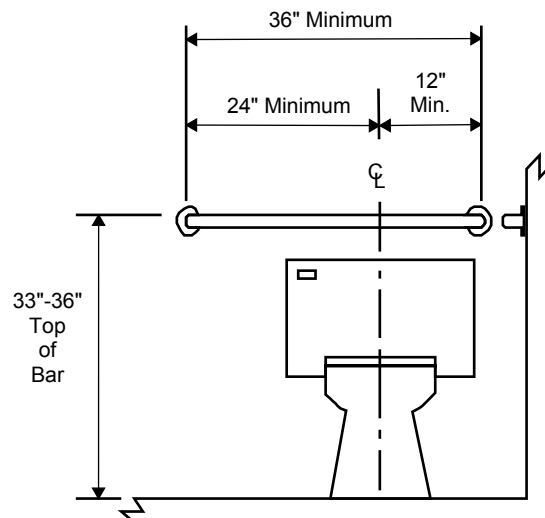
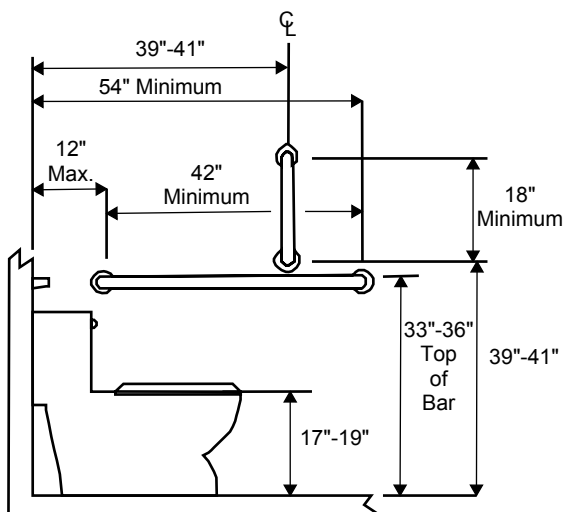
**Signage**



**Urinal**



**Lavatory**



**GRAB BAR LOCATIONS**