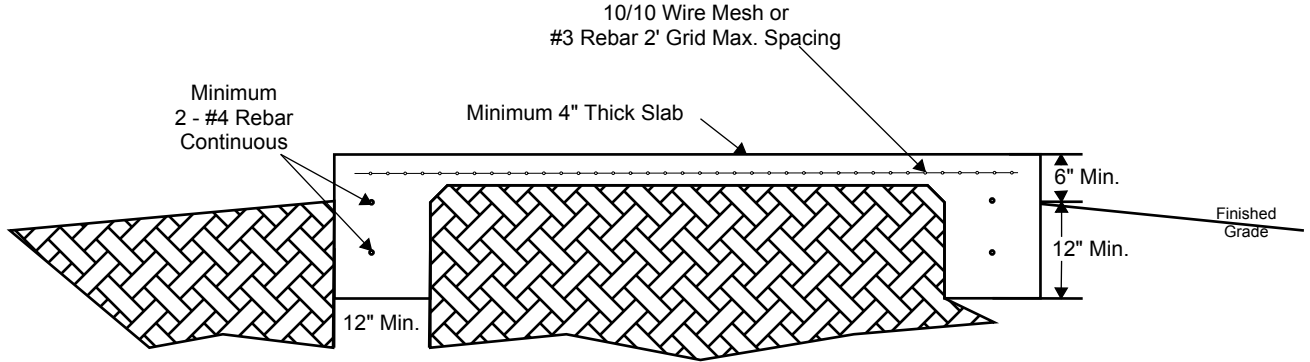


MONOLITHIC and FROST PROTECTED FOUNDATIONS

TYPICAL MONOLITHIC OR FLOATING SLAB



FROST PROTECTED FOUNDATION

